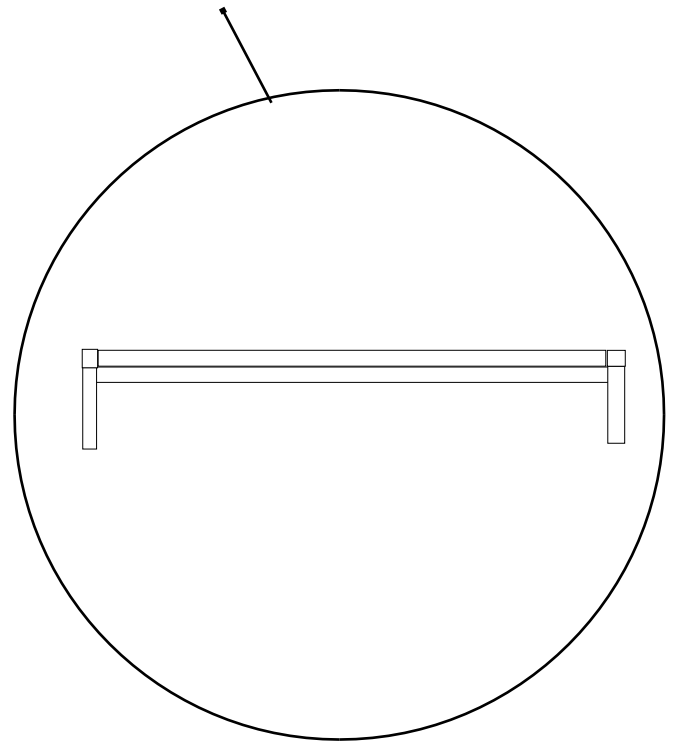
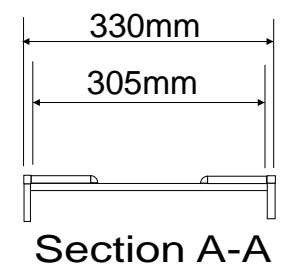
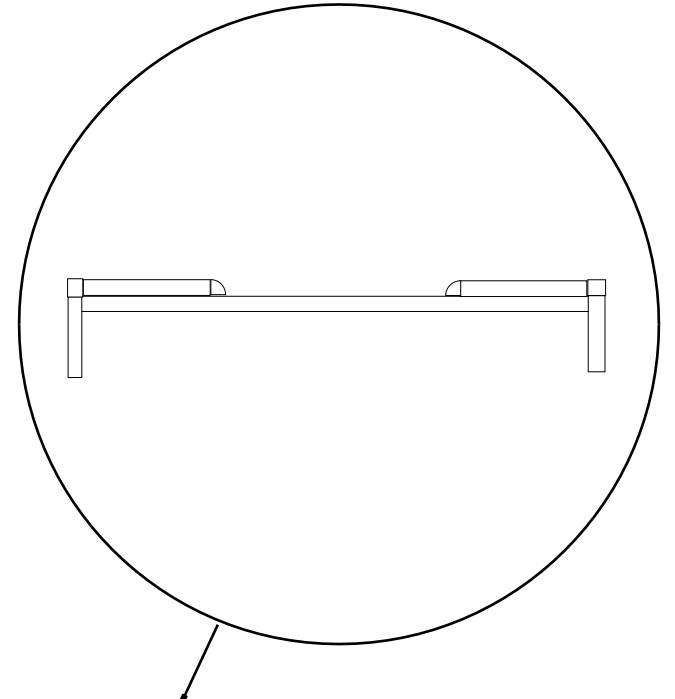
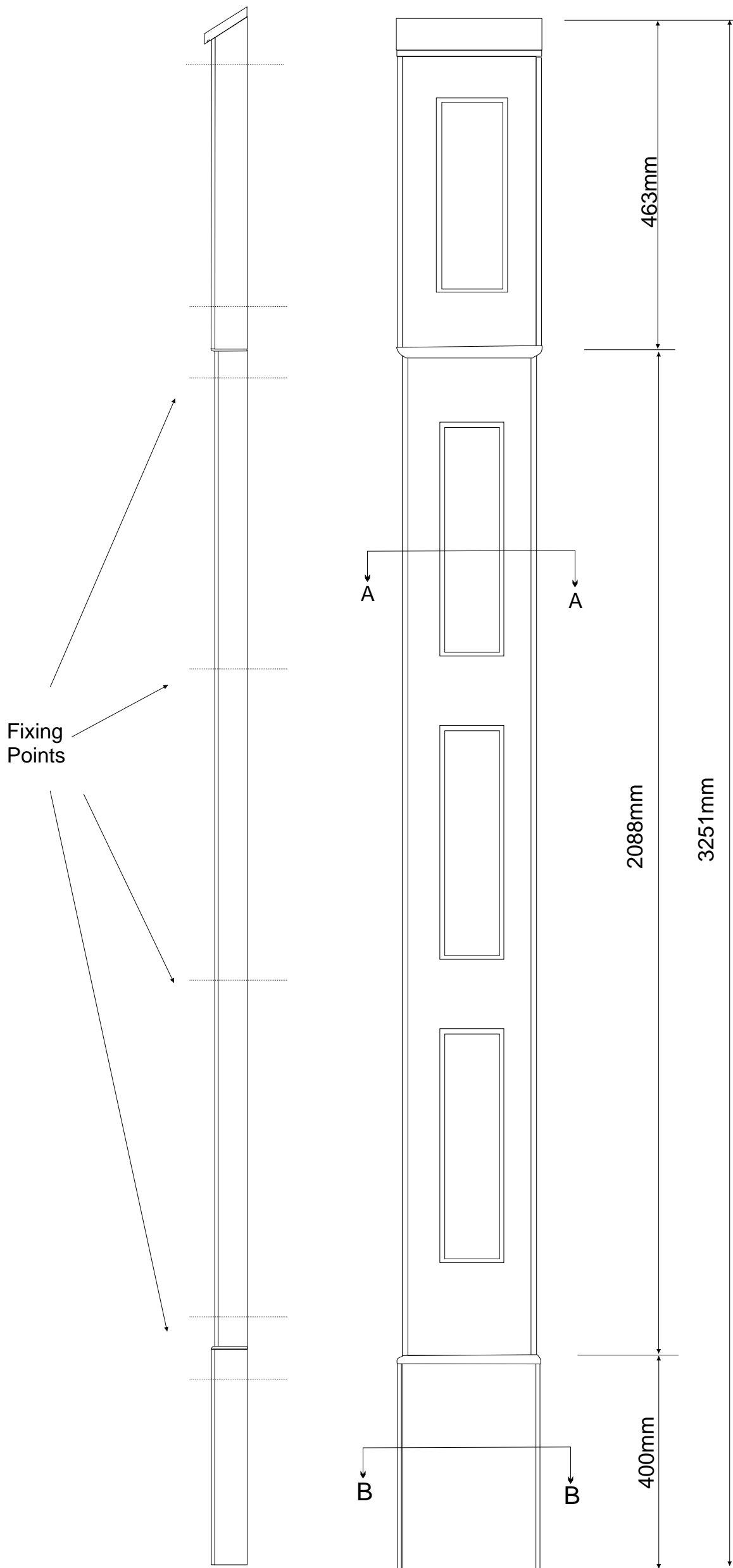
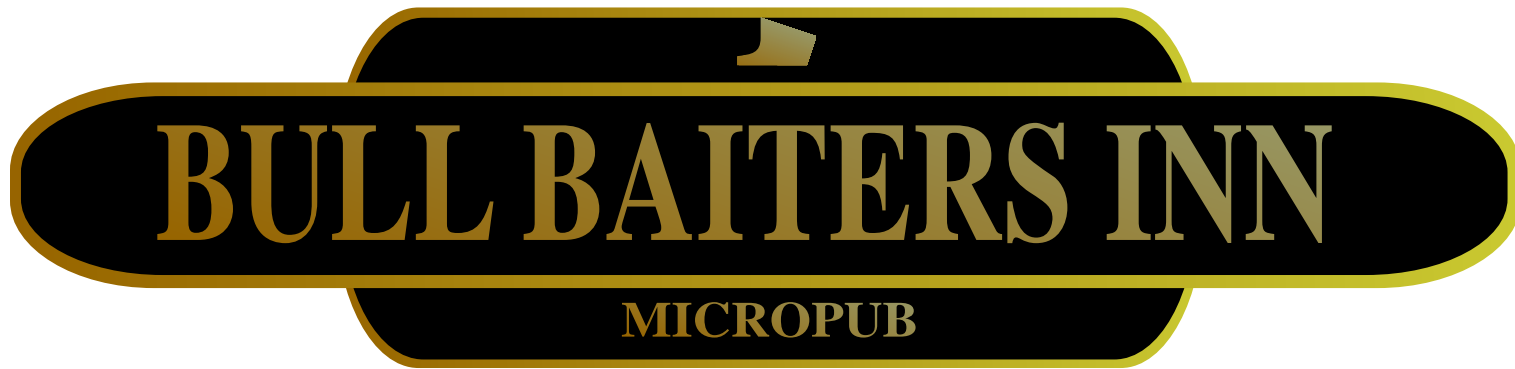


Proposed fascia for micropub. The existing sign area of almost 4.5m x 0.76m is noticeably deeper than that of adjoining properties and does not lend itself to more subtle business signage preferred by the planners. A top board painted to match the brickwork above has been included in the design to reduce the visual impact of the poorly proportioned area. Proposed signage letters are 65mm tall on a 110mm background. The signage is not illuminated but will include a single traditional-style wall lantern that will be visible when approaching the property from the side. The whole to be finished in satin black except for the top board as shown.



Bespoke pilaster for Micropub
22 St Johns Worcester WR2 5AH
Material: marine plywood
Finish: black eggshell paint
Not to scale
2-off



Aluminium composite UV printed sign smooth finish.
The sign is printed in the style of a traditional railway totem sign with a metal brass effect finish. Fully Weatherproof.



(Alternative old gold enamel effect colour scheme)



4 sided traditional style wall lantern

Aluminium metal lantern with glass panels

Lamp: 60w GLS ES

Overall size of 150mm x 190mm x 360mm